

BX50 2.0-3.5ton
Series

Model: FG30T-16

FG30C-16

FD30T-17

FD30C-17

FD30HT-17

BX50 SERIES

● STANDARD SPECIFICATIONS

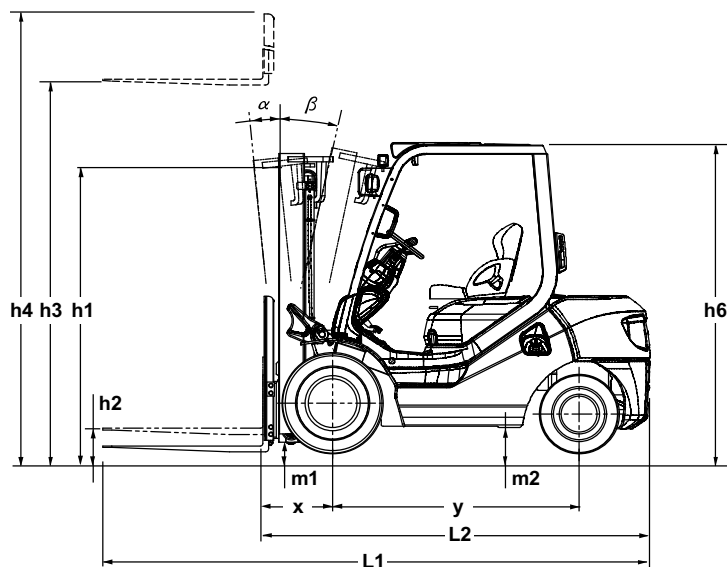
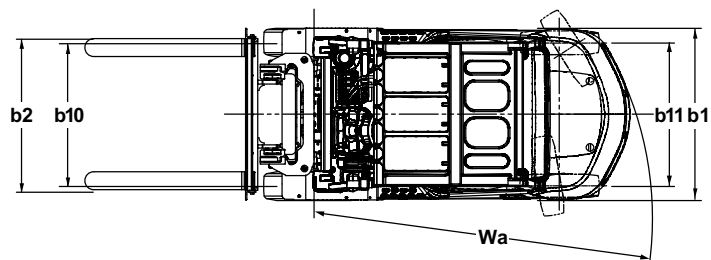
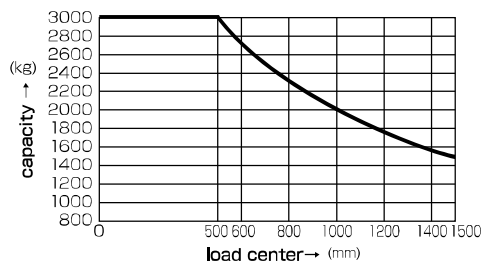
		Manufacturer's Designation		FG30T-16	FG30C-16	FD30T-17	FD30C-17		
Characteristics	1.2	Model			FG30T-16	FG30C-16	FD30T-17	FD30C-17	
	1.3	Power Type	Electric, Diesel, Gasoline, LPG, Cable		Gasoline		Diesel		
	1.4	Operation Type			Sitting		Sitting		
	1.5	Rated Capacity	Q	kg	3000		3000		
	1.6	Load Center	c	mm	500		500		
	1.6.1	Alternative Capacity	Q ₂	Capacity @600mm Load Center	kg	2720		2720	
	1.8	Load Distance	x	Front Axle Center to Fork Face	mm	490		490	
	1.9	Wheelbase	y		mm	1700		1700	
	Weight	2.1	Service Weight			kg	4210	4255	4310
2.2		Axle Loading	Loaded	Front	kg	6390	6425	6435	6460
2.2.1				Rear	kg	820	830	875	885
2.3			Unloaded	Front	kg	1600	1635	1640	1670
2.3.1				Rear	kg	2610	2620	2670	2675
Tyre	3.1	Tyre Type			Pneumatic		Pneumatic		
	3.2	Tyre Size	Front		28x9-15-12PR(I)		28x9-15-12PR(I)		
	3.3		Rear		6.50-10-10PR(I)		6.50-10-10PR(I)		
	3.5	Number of Wheels	Front/Rear(x=driven)		2*/2		2*/2		
	3.6	Tread, Front	b ₁₀	mm	1005		1005		
	3.7	Tread, Rear	b ₁₁	mm	965		965		
	Dimensions	4.1	Tilting Angle	α/β	Forward/Backward	degree	6/12		6/12
4.2		Mast Height, Lowered	h ₁	2-stage Std. Mast	mm	2070		2070	
4.3		Std. Free Lift	h ₂	2-stage Std. Mast from Ground	mm	160		160	
4.4		Std. Lift Height	h ₃	2-stage Std. Mast from Ground	mm	3000		3000	
4.5		Mast Height, Extended	h ₄	2-stage Std. Mast	mm	4275		4275	
4.7		Height, Overhead Guard	h ₆		mm	2090		2130	
4.19		Length, with Std. Forks	L ₁		mm	3775		3775	
4.20		Length, to Fork Face	L ₂		mm	2705		2705	
4.21		Width, at Tyre	b ₁	Single	mm	1235		1235	
4.22		Forks	s/e/l/	Thickness/Width/Length	mm	45x122x1070		45x122x1070	
4.23		Fork Carriage Class	ISO 2328, Type A/B/no			Class 3, Type A		Class 3, Type A	
4.24		Width, Fork Carriage	b ₂		mm	1060		1060	
4.31		Ground Clearance	m ₁	Under Mast	mm	135		135	
4.32			m ₂	at Center of Wheelbase	mm	185		185	
4.33		Right Angle Stacking Aisle	A _{st}	with L1000xW1200 pallet	mm	3930*		3930*	
4.34	A _{st}		with L1200xW800 pallet	mm	4060*		4060*		
4.35	Turning Radius	Wa		mm	2370		2370		
Performance	5.1	Travel Speed (FWD)	Loaded, 1st/2nd	km/h	18.5	8.5/18.5	17.0	7.5/17.0	
			Unloaded, 1st/2nd	km/h	19.5	9.0/19.5	17.5	8.0/17.5	
	5.2	Lifting Speed	Loaded	mm/s	515		490		
			Unloaded	mm/s	550		530		
	5.3	Lowering Speed	Loaded	mm/s	420		420		
			Unloaded	mm/s	500		500		
	5.6	Max. Drawbar Pull	Loaded, 1.5km/h, 3min rating	KN	18	18	14	14	
	5.8	Max. Gradeability	Loaded, 1.5km/h, 3min rating	%	26	25	20	20	
5.10	Service Brake	Operation/Control			Foot/Hydraulic		Foot/Hydraulic		
5.11	Parking Brake	Operation/Control			Hand/Mechanical		Hand/Mechanical		
5.12	Steering	Type			FHPS		FHPS		
6.4	Battery	Voltage/Capacity at 5-hour rating		V/ah	12/33		12/64		
I.C. Engine	7.1	Make / Model			NISSAN K25		Komatsu 4D94LE		
	7.2	Rated Output, SAE net			KW		42.6@2400		
	7.3	Rated RPM			min ⁻¹		2400		
	7.3.1	Max. Torque, SAE net			Nm@min ⁻¹		186@1600		
	7.4	No. of Cylinders/Displacement			cm ³		4-2488		
	7.6	Fuel Tank Capacity			Ltr		58		
Others	8.2	Relief Pressure for Attachment			bar		181		
	8.6	Clutch			T/C		Dry		
	8.7	Transmission			TORQFLOW		Synchronesh		

*: Add clearance

T/C: Torque Converter

FG30T-16, FG30C-16, **FD30T-17, FD30C-17**

● **CAPACITY CHART**



● **STANDARD EQUIPMENT**

- 3.0mH 2-stage free view mast
- Load backrest
- Dual floating Structure
- Super Lift Hydraulic System
- Soft landing mast system
- Alternator with built-in IC regulator
- Combination switch (turn signal light and light switch)
- Integrated meter panel(Fuel gauge, water temperature gauge, charge warning lamp, hour meter, brake fluid warning lamp, Engine oil pressure gauge, neutral indicator)
- Back-up buzzer
- Auto choke (gasoline)
- New operator's seat with suspension
- Quick auto glow system (diesel)
- Neutral safety mechanism
- Halogen headlight
- Rear combination light

- Cyclone air cleaner
- Engine key stop mechanism (diesel)
- Fully hydrostatic power steering
- Wide angle center mirror

● **OPTIONAL EQUIPMENT**

- Operator Presence Sensing System (Lifting/Traveling Interlocking Mechanism)
- Steel Cabin
- Protective Resin Head Guard Cover
- Digital Load Checker
- Easy-Replacement Oil Filter
- Mast Tilt angle Meter

BX50 SERIES

● STANDARD SPECIFICATIONS

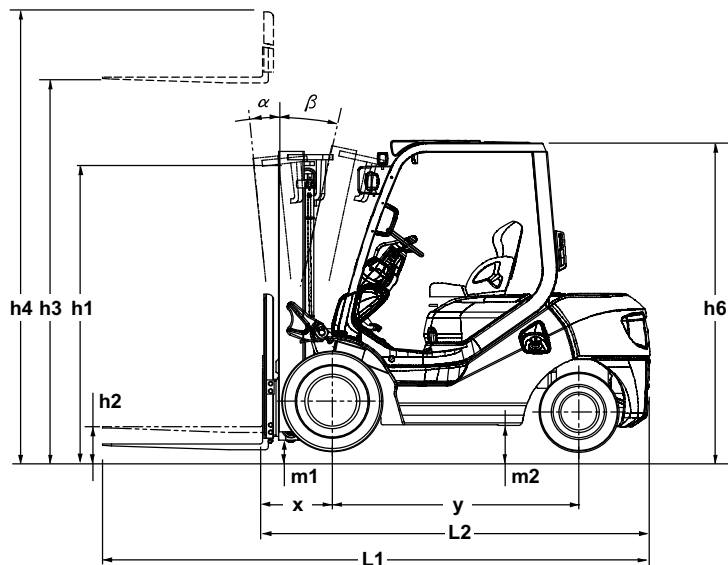
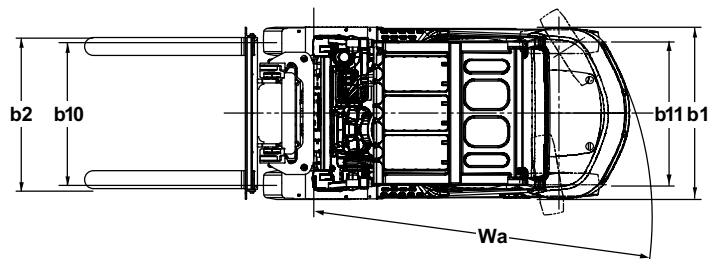
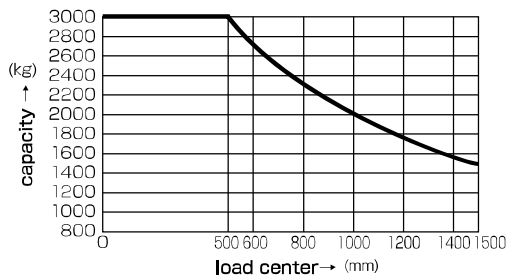
Characteristics	1.2	Model	Manufacturer's Designation		FD30HT-17	
	1.3	Power Type	Electric, Diesel, Gasoline, LPG, Cable		Diesel	
	1.4	Operation Type			Sitting	
	1.5	Rated Capacity	Q	kg	3000	
	1.6	Load Center	c	mm	500	
	1.6.1	Alternative Capacity	Q ₂	Capacity @600mm Load Center	kg	2720
	1.8	Load Distance	x	Front Axle Center to Fork Face	mm	490
	1.9	Wheelbase	y		mm	1700
	Weight	2.1	Service Weight			kg
2.2		Axle Loading	Loaded	Front	kg	6435
2.2.1				Rear	kg	875
2.3			Unloaded	Front	kg	1640
2.3.1				Rear	kg	2670
Tyre	3.1	Tyre Type			Pneumatic	
	3.2	Tyre Size	Front		28x9-15-12PR(I)	
	3.3		Rear		6.50-10-10PR(I)	
	3.5	Number of Wheels	Front/Rear(x=driven)		2*/2	
	3.6	Tread, Front	b ₁₀	mm	1005	
	3.7	Tread, Rear	b ₁₁	mm	965	
	Dimensions	4.1	Tilting Angle	α/β	Forward/Backward	degree
4.2		Mast Height, Lowered	h ₁	2-stage Std. Mast	mm	2070
4.3		Std. Free Lift	h ₂	2-stage Std. Mast from Ground	mm	160
4.4		Std. Lift Height	h ₃	2-stage Std. Mast from Ground	mm	3000
4.5		Mast Height, Extended	h ₄	2-stage Std. Mast	mm	4275
4.7		Height, Overhead Guard	h ₆		mm	2130
4.19		Length, with Std. Forks	L ₁		mm	3775
4.20		Length, to Fork Face	L ₂		mm	2705
4.21		Width, at Tyre	b ₁	Single	mm	1235
4.22		Forks	s/e/l	Thickness/Width/Length	mm	45x122x1070
4.23		Fork Carriage Class	ISO 2328, Type A/B/no		Class 3, Type A	
4.24		Width, Fork Carriage	b ₂		mm	1060
4.31		Ground Clearance	m ₁	Under Mast	mm	135
4.32			m ₂	at Center of Wheelbase	mm	185
4.33		Right Angle Stacking Aisle	Ast	with L1000xW1200 pallet	mm	3930*
4.34	Ast		with L1200xW800 pallet	mm	4060*	
4.35	Turning Radius	Wa		mm	2370	
Performance	5.1	Travel Speed (FWD)	Loaded, 1st/2nd		km/h	18.5
			Unloaded, 1st/2nd		km/h	19.0
	5.2	Lifting Speed	Loaded		mm/s	550
			Unloaded		mm/s	595
	5.3	Lowering Speed	Loaded		mm/s	420
			Unloaded		mm/s	500
	5.6	Max. Drawbar Pull	Loaded, 1.5km/h, 3min rating		KN	17
	5.8	Max. Gradeability	Loaded, 1.5km/h, 3min rating		%	25
5.10	Service Brake	Operation/Control		Foot/Hydraulic		
5.11	Parking Brake	Operation/Control		Hand/Mechanical		
5.12	Steering	Type		FHPS		
6.4	Battery	Voltage/Capacity at 5-hour rating		V/ah	12/64	
I.C. Engine	7.1	Make / Model			Komatsu 4D98E	
	7.2	Rated Output, SAE net			KW	44.1@2450
	7.3	Rated RPM			min ⁻¹	2450
	7.3.1	Max. Torque, SAE net			Nm@min ⁻¹	183@1500
	7.4	No. of Cylinders/Displacement			cm ³	4-3318
	7.6	Fuel Tank Capacity			Ltr	58
Others	8.2	Relief Pressure for Attachment			bar	181
	8.6	Clutch			T/C	
	8.7	Transmission			TORQFLOW	

*: Add clearance

T/C: Torque Converter

FD30HT-17

CAPACITY CHART



● **STANDARD EQUIPMENT**

- 3.0mH 2-stage free view mast
- Load backrest
- Dual floating Structure
- Super Lift Hydraulic System
- Soft landing mast system
- Alternator with built-in IC regulator
- Combination switch (turn signal light and light switch)
- Integrated meter panel(Fuel gauge, water temperature gauge, charge warning lamp, hour meter, brake fluid warning lamp, Engine oil pressure gauge, neutral indicator)
- Back-up buzzer
- New operator's seat with suspension
- Quick auto glow system
- Neutral safety mechanism
- Halogen headlight
- Rear combination light
- Cyclone air cleaner

- Engine key stop mechanism
- Fully hydrostatic power steering
- Wide angle center mirror

● **OPTIONAL EQUIPMENT**

- Operator Presence Sensing System (Lifting/Traveling Interlocking Mechanism)
- Steel Cabin
- Protective Resin Head Guard Cover
- Digital Load Checker
- Easy-Replacement Oil Filter
- Mast Tilt angle Meter

BX50 SERIES

● MAST SPECIFICATIONS

2-stage Free View Mast

*mark is the standard mast

Max. Fork Height	Overall Height			Free Lift		Tilting Angle		Capacity at 600mm Load Center			Mast Weight
	Lowered	Extended		Without Load Backrest	With STD Load Backrest	Forward/Backward		Capacity at 500mm Load Center			
		Without Load Backrest	With STD Load Backrest			Front Single Tyre	Front Double Tyre	Front Double Tyres	Pneumatic Single Wide Tread	Pneumatic Single Std. Tread	
mm	mm	mm	mm	mm	mm	degree		kg	kg	kg	kg
2500	1820	3410	3780	155		6/12		2720 3000	2720 3000	2720 3000	-43
3000*	2070	3710	4280	155	2720 3000			2720 3000	2720 3000	645	
3300	2220	4010	4580	155	2720 3000			2720 3000	2720 3000	+24	
3500	2320	4210	4780	155	2720 3000			2720 3000	2720 3000	+46	
3700	2420	4410	4980	155	2720 3000			2720 3000	2720 3000	+62	
4000	2620	4710	5280	155	2720 3000			2720 3000	2720 3000	+130	
4300	2770	5010	5580	155		6/6	6/12	2720 3000	2580 2850	2580 2850	+155
4500	2870	5210	5780	155		6/6	6/12	2720 3000	2580 2850	2580 2850	+170
4700	3020	5410	5980	155		6/6		2670 2950	2170 2400	2170 2400	+195
5000	3170	5710	6280	155		6/6		2630 2900	2170 2400	2170 2400	+219

2-stage Full Free View Mast

Max. Fork Height	Overall Height			Free Lift		Tilting Angle		Capacity at 600mm Load Center			Mast Weight
	Lowered	Extended		Without Load Backrest	With STD Load Backrest	Forward/Backward		Capacity at 500mm Load Center			
		Without Load Backrest	With STD Load Backrest			Front Single Tyre	Front Double Tyre	Front Double Tyres	Pneumatic Single Wide Tread	Pneumatic Single Std. Tread	
mm	mm	mm	mm	mm	mm	degree		kg	kg	kg	kg
3000	2070	3780	4280	1350	850	6/12		2720 3000	2720 3000	2720 3000	805
3300	2220	4080	4580	1500	1000			2720 3000	2720 3000	2720 3000	+30
3500	2320	4280	4780	1600	1100			2720 3000	2720 3000	2720 3000	+45
4000	2620	4780	5280	1900	1400			2720 3000	2720 3000	2720 3000	+125
4500	2870	5280	5780	2150	1650	6/6	6/12	2720 3000	2580 2850	2580 2850	+170

3-stage Full Free View Mast

Max. Fork Height	Overall Height			Free Lift		Tilting Angle		Capacity at 600mm Load Center			Mast Weight
	Lowered	Extended		Without Load Backrest	With STD Load Backrest	Forward/Backward		Capacity at 500mm Load Center			
		Without Load Backrest	With STD Load Backrest			Front Single Tyre	Front Double Tyre	Front Double Tyres	Pneumatic Single Wide Tread	Pneumatic Single Std. Tread	
mm	mm	mm	mm	mm	mm	degree		kg	kg	kg	kg
3700	1870	4510	5010	1150	650	6/6		2720 3000	2720 3000	2720 3000	-40
4000	1970	4810	5310	1250	750			2720 3000	2720 3000	2720 3000	-20
4300	2070	5110	5610	1350	850			2720 3000	2670 2950	2670 2950	1015
4500	2145	5310	5810	1425	925			2720 3000	2630 2900	2580 2850	+15
4700	2220	5510	6010	1500	1000			2630 2900	2580 2850	2170 2400	+30
5000	2320	5810	6310	1600	1100			2580 2850	2540 2800	1810 2000	+50
5500	2520	6310	6810	1800	1300			2360 2600	2130 2350	1450 1600	+90
6000	2720	6810	7310	2000	1500			2080 2300	1630 1800	990 1100	+165

"Load capacity at 600mm load center reference only"