

KOMATSU

AM50 Series

Model: FB15M-12

KOMATSU FORKLIFT

AM50 SERIES

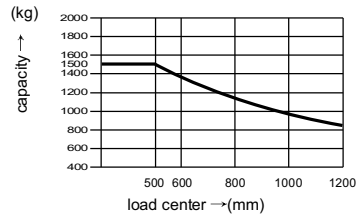
● STANDARD SPECIFICATIONS

Characteristics	1.2	Model	Manufacturer's Designation		FB15M-12		
	1.3	Power Type	Electric, Diesel, Gasoline, LPG, Cable		Electric		
	1.4	Operation Type			Sitting		
	1.5	Rated Capacity	Q	Rated Capacity	kg	1500	
	1.6	Load Center	c	Rated Load Center	mm	500	
	1.6.1	Alternative Capacity	Q2	Capacity @600mm Load Center	kg	1350	
	1.8	Load Distance	x	Front Axle Center to Fork Face	mm	405	
	1.9	Wheelbase	y		mm	1340	
	Weight	2.1	Service Weight	Including Min. Capacity Battery, See line 6.5		kg	2980
2.2		Axle Loading	Loaded	Front	kg	4000	
2.2.1				Rear	kg	480	
2.3			Unloaded	Front	kg	1460	
2.3.1				Rear	kg	1520	
Tyre	3.1	Tyre Type			Pneumatic		
	3.2	Tyre Size	Front		18x7-8-16PR(I)		
	3.3		Rear		15x4 1/2-8-12PR(I)		
	3.5	Number of Wheel	Front/Rear(x=driven)		2x/2		
	3.6	Tread, Front	b ₁₀		mm	940	
	3.7	Tread, Rear	b ₁₁		mm	170	
	Dimensions	4.1	Tilting Angle	α/β	Forward/Backward	degree	6/10
4.2		Mast Height, Lowered	h ₁	2-stage Mast		mm	1995
4.3		Std. Free Lift	h ₂	2-stage Std. Mast from Ground		mm	140
4.4		Std. Lift Height	h ₃	2-stage Std. Mast from Ground		mm	3000
4.5		Mast Height, Extended	h ₄	2-stage Std. Mast		mm	3955
4.7		Height, Overhead Guard	h ₆			mm	2070
4.19		Length, with Std. Forks	l ₁			mm	2855
4.20		Length, to Fork Face	l ₂			mm	1935
4.21		Width, at Tyre	b ₁	Single		mm	1110
4.22		Forks	s/e/l	Thickness/Width/Length		mm	35x100x920
4.23		Fork Carriage Class	ISO 2328, Type A/B/no				Class 2, Type A
4.24		Width, Fork Carriage	b ₃			mm	970
4.31		Ground Clearance	m ₁	Under Mast		mm	95
4.32			m ₂	at Center of Wheelbase		mm	125
4.33		Right Angle Stacking Aisle	Ast	with L1000 x W1200 pallet		mm	2935*
4.34	Ast		with L1200 x W800 pallet		mm	3135*	
4.35	Turning Radius	Wa			mm	1530	
Performance	5.1	Travel speed (FWD)	Loaded/Unloaded	km/h		15.0/17.0	
	5.2	Lifting Speed	Loaded/Unloaded	mm/s		340/600	
	5.3	Lowering Speed	Loaded/Unloaded	mm/s		450/550	
	5.6	Max. Drawbar Pull	Loaded, 3min, rating	N		9560	
	5.8	Max. Gradeability	Loaded, 3min, rating/1.5km/h	%		19	
	5.10	Service Brake	Operation/Control			Foot/Hydraulic	
	5.10.1	Parking Brake	Operation/Control			Hand/Mechanical	
5.10.2	Steering	Type			FHPS		
Drive	6.1	Drive Motor (AC)	60 min, rating	kW		4.5x2	
	6.2	Pump Motor (AC)	5 min, rating	kW		9.0	
	6.4	Battery Voltage			V	48	
	6.4.1	Battery Capacity, Min.			Ah/5hr	402	
	6.4.2	Battery Capacity, Max.			Ah/5hr	565	
6.5	Battery Weight	Min. capacity Battery, see line 6.4.1		kg	720		
Others	8.1	Drive Motor Control				Transistor	
	8.2	Relief Pressure for Attachment			bar	176	
	8.2.1	Hydraulic Oil Capacity			Ltr	23	

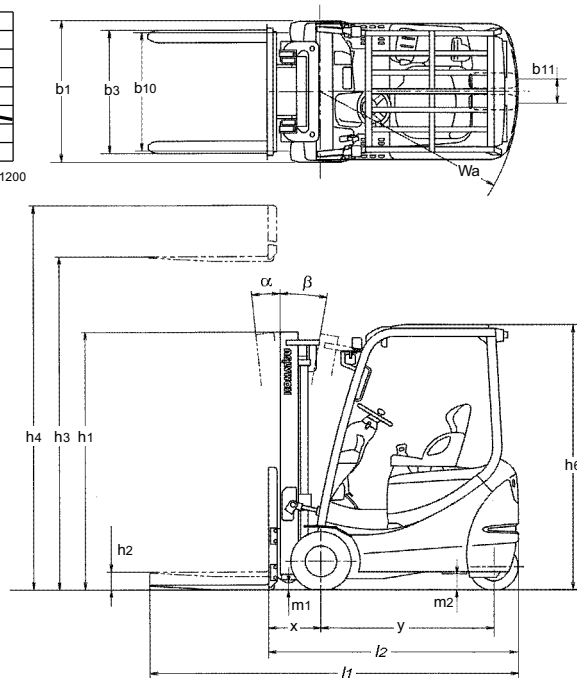
*Add clearance

FB15M-12

● CAPACITY CHART



● DRAWING



● STANDARD EQUIPMENT

- 3.0mH 2-stage free view mast
- Forks
- Load backerest
- Ergonomic combination lever
- Side battery access
- Traveling/Lifting Operator Presence Sensing (OPS) system (ISO3691)
- Floor mat
- Assist grip
- Paper binder with pen tray
- Halogen headlight
- Back-up buzzer
- Fully hydrostatic power steering
- Wide angle center mirror
- HSS II seat with seat belt
- Intelligent Monitoring System (IMS)
- Adjustable individual setups
- Emergency switch
- Neutral safety mechanism
- High-mounted rear combination lamp

● OPTIONAL EQUIPMENT

- Protective resin head guard cover
- Digital load checker
- Automatic fork leveling device
- Softcarry (Hydraulic accumulator system)
- Front glass with wiper
- Anti rust coating paint
- Rear view mirror (Left & Right)
- Seat heater

AM50 SERIES

FB15M-12

● MAST SPECIFICATIONS

2-stage View Mast

*mark is the standard mast

Max. Fork Height	Overall Height			Free Lift		Tilting Angle Forward /Backward degree	Capacity at 600mm Load Center		Mast Weight kg
	Lowered	Extended		Without Load Backrest	With STD Load Backrest		500mm Load Center		
		Without Load Backrest	With STD Load Backrest				FB15M-12	Pneumatic Single Std. Tread	
mm	mm	mm	mm	mm	mm	kg	kg	kg	
2700	1845	3285	3655	140		6/10	1350	1500	-15
3000*	1995	3585	3955	140			1350	1500	305
3300	2145	3885	4255	140			1350	1500	+15
3500	2245	4085	4455	140			1350	1500	+30
3700	2345	4285	4655	140			1350	1500	+70
4000	2545	4585	4955	140			1350	1500	+100
4300	2695	4885	5255	140		6/6	1170	1300	+115
4500	2795	5085	5455	140			1170	1300	+125
4700	2920	5285	5655	140			1080	1200	+140
5000	3070	5585	5955	140			1080	1200	+160

2-stage Full Free View Mast

Max. Fork Height	Overall Height			Free Lift		Tilting Angle Forward /Backward degree	Capacity at 600mm Load Center		Mast Weight kg
	Lowered	Extended		Without Load Backrest	With STD Load Backrest		500mm Load Center		
		Without Load Backrest	With STD Load Backrest				FB15M-12	Pneumatic Single Std. Tread	
mm	mm	mm	mm	mm	mm	kg	kg	kg	
3000*	1995	3605	3975	1435	1065	6/10	1350	1500	340
3300	2145	3905	4275	1585	1215		1350	1500	+20
3500	2245	4105	4475	1685	1315		1350	1500	+30
4000	2545	4605	4975	1985	1615		1350	1500	+90

3-stage Full Free View Mast

Max. Fork Height	Overall Height			Free Lift		Tilting Angle Forward /Backward degree	Capacity at 600mm Load Center		Mast Weight kg	
	Lowered	Extended		Without Load Backrest	With STD Load Backrest		500mm Load Center			
		Without Load Backrest	With STD Load Backrest				Pneumatic Single Std. Tread	Elastic Cushion Std. Tread		
mm	mm	mm	mm	mm	mm	kg	kg	kg		
3700	1795	4315	4685	1235	865	6/6	1300	1300	-35	
4000	1895	4615	4985	1335	965		1300	1450	1450	-20
							1260	1400	1400	475
4300*	1995	4915	5285	1435	1065		1170	1210	1210	+15
							1170	1300	1350	+30
4500	2070	5115	5485	1510	1140		1080	1200	1170	+45
							850	950	1120	+75
5000	2245	5615	5985	1685	1315		580	650	810	+145

Note: With 3-stage Full Free View Mast tilt speed will be reduced by restricting tilt lever speed.